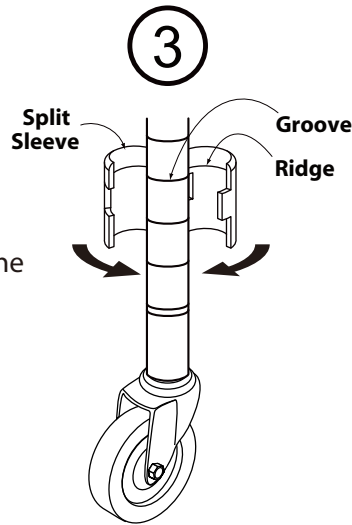
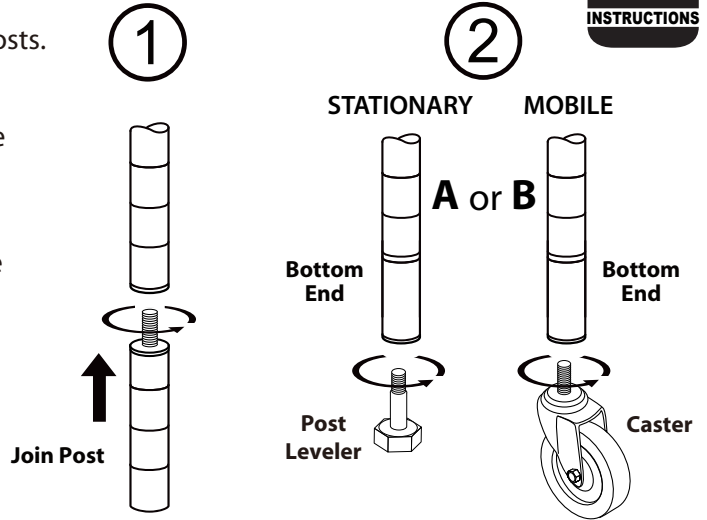


STATIONARY OR MOBILE WIRE SHELVING

ASSEMBLY INSTRUCTIONS:

- ① First, screw posts together ending up with four 54" high posts.
- ② Identify the top and bottom ends of the four posts. The top ends have black plastic caps. The bottom ends are open. Screw either post levelers for stationary (A) or casters for mobile unit (B).
- ③ Select the desired height for the bottom shelf. Please note that the bottom shelf should never be higher than 12" above the floor. Shelves can be placed at any of the 1" circular grooves along the posts. Now take a pair of "split sleeves" and snap it onto the groove you have selected with the small opening side up.
- ④ Hold the shelf on its side, slide the top part of the post from bottom of the shelf through one of the corner holes. The post "split sleeves" will slide nicely into the shelves creating a "double wedge". Please note that the wire surface is on top of the shelf.
- ⑤ Stand the unit upright once all four posts have been placed through the shelf, and press the bottom shelf firmly onto the "split sleeve".
- ⑥ Select the placement of your next shelf by counting up the grooves to the desired height. Snap on another "split sleeves", and repeat the process for each post. **DO NOT** place shelves more than 36" apart.

Lift the next shelf up and onto the four posts. Slide them down through each corner carefully, and down onto the "split sleeves". Repeat step 4 for the next shelf.



CAUTION:

- DO NOT STAND ON OR CLIMB ON SHELVES.
- DO NOT DROP HEAVY ITEMS ON THE SHELVES.
- PLACE HEAVIER ITEMS ON LOWER SHELVES AND LIGHTER ONE ON TOP.
- DO NOT MOVE SHELVES WHILE LOADED.

